

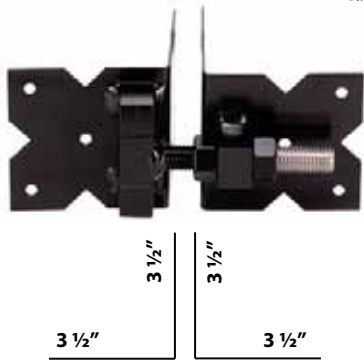
GATE HARDWARE CATALOG



Regular Commercial



Traditional V-notch design specifically built for heavy duty fencing.



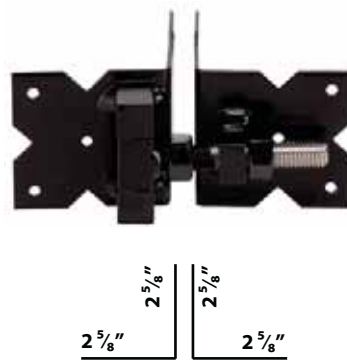
93310000-07 Regular Commercial Hinge Set 90103

- Set of 2 hinges
- Black powder coated stainless steel
- 1 1/2" Horizontal adjustment
- 10 sets per case
- Stainless steel mounting screws included

Regular Residential

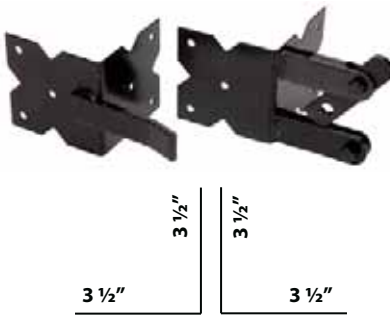


Traditional V-notch design suitable for residential use.



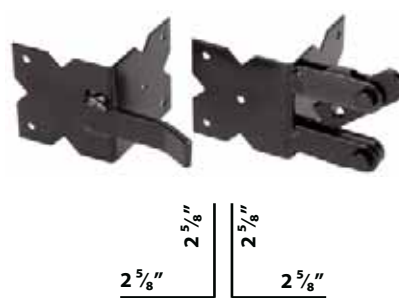
93300000-07 Regular Residential Hinge Set 90101

- Set of 2 hinges
- Black powder coated stainless steel
- 1 1/2" horizontal adjustment
- 12 sets per case
- Stainless steel mounting screws included



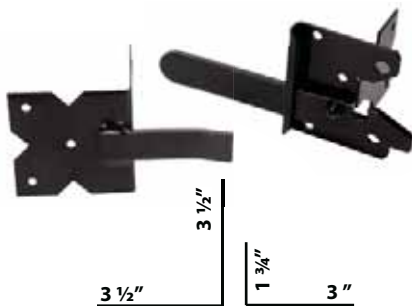
933110000-07 Regular Commercial Latch Set 90203

- Black powder coated stainless steel
- 12 per case
- For left or right hand gate opening
- Padlockable
- Stainless steel mounting screws included



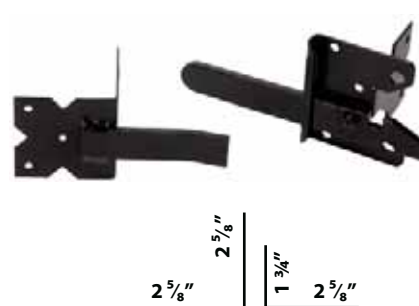
933010000-07 Regular Residential Latch Set 90201

- Black powder coated stainless steel
- 24 per case
- For left or right hand gate opening
- Padlockable
- Stainless steel mounting screws included



933110200-07 Regular Commercial 2-Way Latch 90303

- Black powder coated stainless steel
- 12 per case
- For left or right hand gate opening
- Padlockable
- Stainless steel mounting screws included



933010200-07 Regular Residential 2-Way Latch 90301

- Black powder coated stainless steel
- 12 per case
- For left or right hand gate opening
- Padlockable
- Stainless steel mounting screws included



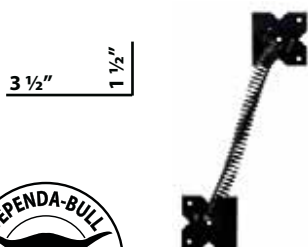
933120000-07 Commercial Drop Pin 90403

- Black powder coated stainless steel
- Stainless steel mounting screws included
- 34" drop pin



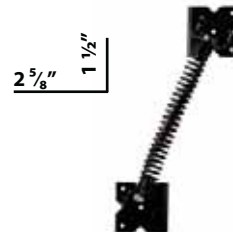
933020000-07 Residential Drop Pin 90401

- Black powder coated stainless steel
- Stainless steel mounting screws included
- 24" drop pin



933130000-07 Commercial Spring Set 90503

- Black powder coated stainless steel
- Stainless steel mounting screws included



933030000-07 Residential Spring Set 90501

- Black powder coated stainless steel
- Stainless steel mounting screws included



Superior Plastic Products' part numbers are printed in blue.

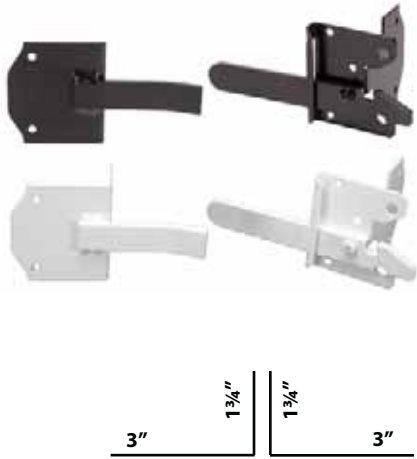
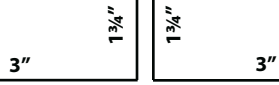
Select 

Contemporary-style hardware with the same strength as our traditional V-notch design. (Residential components on commercial size hardware.)



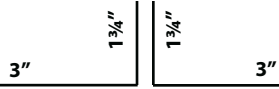
933200000-07 Black
933200000-01 White
Select Hinge Set
Black 90105
White 91105

- Set of 2 hinges
- Black or white powder coated stainless steel
- 1 1/2" horizontal adjustment
- 12 sets per case
- Stainless steel mounting screws included



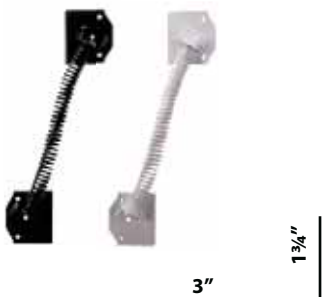
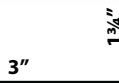
933210200-07 Black
933210200-01 White
Select 2-Way Latch Set
Black 90305
White 91305

- Black or white powder coated stainless steel
- 12 per case
- For left or right hand gate opening
- Padlockable
- Stainless steel mounting screws included



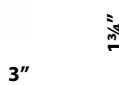
933220000-07 Black
933220000-01 White
Select Drop Pin Kit
Black 90405
White 91405

- Black or white powder coated stainless steel
- Stainless steel mounting screws included
- 34" drop pin



933230000-07 Black
933230000-01 White
Select Spring Set
Black 90505
White 91505

- Black or white powder coated stainless steel
- Stainless steel mounting screws included

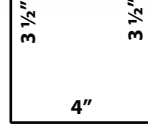


Gate Wheels 



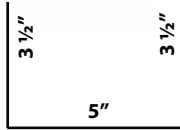
933550400-07
4" Gate Wheel 90708

- Black powder coated stainless steel
- 10 per case
- Stainless steel mounting bolts included



933550500-07
5" Gate Wheel 90709

- Black powder coated stainless steel
- 10 per case
- Stainless steel mounting bolts included



2-Way Latch Locks 



933110210-07
Commercial 2-Way Latch Lock 90803

- Black powder coated stainless steel
- Allows a padlock on either side of gate
- Stainless steel mounting screws included

Gate Handles 

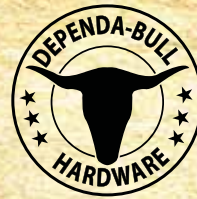


933560000-07 Black
933560000-01 White
Gate Handles
Black 90600
White 91600

- Black or white powder coated aluminum
- Stainless steel mounting screws included



Top 10 Reasons to Install



1 Our products are solely **manufactured in the USA**, truly Lancaster County-made.

2 Our products are **all season**, designed for use in areas with high and low temperatures.

3 All of our hardware components are made of metal, specifically **stainless steel**.

4 We produce hardware that is **rust proof and withstands moisture**.

5 The test of time has proven our products to be **heavy duty**.

6 We pack right off of the line, **preventing scratches & eliminating dust**.

7 The **L bracket / V-notch design originated at our company**.

8 Our threaded stud makes **fine tuning quick & easy**.

9 The look of our hardware is **traditional and timeless**, fitting perfectly with the fencing.

10 Our hardware endures a **rigorous 8-stage pre-treatment process** to properly prepare the steel for maximum coating adhesion.



Distributed by:

FOR ALL YOUR FENCING NEEDS

**ATLANTIC
COAST
FENCE
CO., INC.**

SINCE 1960

CALL US FIRST... **978-388-1415** ...BECAUSE WE LAST
877-45-FENCE

82 Haverhill Road Amesbury, MA 01913
WWW.ATLANTICCOASTFENCE.COM